

GLENTEK ALPHA SERIES DIGITAL PWM SERVO DRIVES

MODELS: SMB9425 & SMC9425

Revision: 1/12/18



Glentek's Alpha Series Digital PWM Servo Drives offer high performance DSP control of brushless (standard servo and high-speed spindle), brush type, rotary, linear, voice coil and AC induction motors. SMB/SMC9425 drives are designed for use with quadrature encoder feedback. For resolver feedback use the SMB/SMC9225. SMB/SMC9425 drives are offered as an AC powered (stand alone) package. These drives incorporate Field Oriented Control (FOC) and Space Vector Modulation (SVM) algorithms which provide optimum control that enable motors to run cooler and at higher velocities. Set-up, tuning and system diagnostics is accomplished using MotionMaestro (Glentek's Windows-based software).

Model	Logic Power
SMB	Bus Power Logic
SMC	24 VDC External Logic Power

ELECTRICAL RATINGS							
Model Number	Input Voltage		Continuous Current (A)	Peak Current (A)	Available Package Configurations		
	VDC	VAC			Module	Stand Alone	Multi-Axis
SMB9425 SMC9425	N/A	110-130 208-240	25	50		•	

Command/Control Modes
+/- 10 VDC typical for current (torque) or velocity (RPM)
Pulse (step) and direction
Encoder follower
External Sine commutation (2-phase current mode)
RS-232
PWM for current (torque) or velocity (RPM)
Camming/Gearing
Feedback
Incremental quadrature encoder
Digital Hall sensors or commutation tracks from encoder
Analog tachometer
I/O
Dedicated I/O: Analog signal command, +/- limits, inhibit/enable, fault, reset, motor temperature, encoder and step & direction
Programmable analog out: 1 12-bit or optional 2 16-bit
General purpose relay: maximum 2 A @ 30 VDC. Nais P/N: TQSA-5V

FEATURES

Performance

FOC	All Alpha Series employ Field Oriented Control method which allows accurate control in both steady state or transient operation, and optimal orientation of the magnetic field.
Space Vector Modulation	Glentek's advanced algorithms allow for maximum utilization of the DC bus voltage while generating minimum harmonic distortion of the currents in the winding of 3-phase AC motor.
Digital current loops	Current loop bandwidths up to 3 kHz.
Digitally tuned	All parameters set digitally. No potentiometers to adjust. DSP control for the ultimate in high performance.
Parametric filtering	Provides control engineers advanced filtering to eliminate unwanted system mechanical resonance.
Smart-Comm Initialization	Eliminates the need for Hall sensor or commutation tracks for many applications.
Auto Phase Advance	Plug and Play for all types of three phase brushless motors. Provides control engineers the ability to connect any motor to the drive's motor outputs. The drives smart algorithm will automatically find and align the motor phases to allow for the most optimized smoothness and efficient commutation.
Sinusoidal commutation	For the ultimate in efficiency and smooth motion, commutates from almost any resolution linear, rotary encoder, or Hall sensors only.
Fault protection	Short from output to output, short from output to ground, amplifier RMS over current, drive under/over voltage, amplifier over temperature, motor over temperature.
On-the-fly mode switching	This feature allows the drive to switch between any mode of operation on-the-fly. That is, the drive can switch between current to velocity (or velocity to current), current to position (or position to current), and velocity to position (or position to velocity) while the motor is in motion. This feature is available upon request. Please contact Glentek application engineers for assistance.
Software configurable	Glentek's Windows™ based MotionMaestro© software provides ease of set-up, monitoring and tuning with no previous programming experience required. This software is Windows™ 95/98/2000/XP, NT, Vista, 7, and 8 compatible.
Silent operation	25 kHz PWM standard.
Command/control Modes	+/-10 VDC for current (torque) or velocity (RPM), pulse (step) and direction, encoder follower, external Sine commutation (2-phase current mode), RS-232, RS-485, PWM for current (torque) or velocity (RPM), and camming/gearing.

Regulatory

RoHS compliance	RoHS compliance optional.
------------------------	---------------------------

Connectivity

RS-232 or RS-485	High speed (115.2K baud) serial communication interface for setup and tuning and diagnostics. Note: RS-485 is optional.
-------------------------	--

Feedback

Encoder feedback	Accepts nominal encoder signals up to 5 MHz (maximum frequency of up to 10 MHz is possible, but is system dependent).
Tachometer feedback	Accepts analog signals from all types of tachometer feedback.

I/O

Dedicated I/O	Analog sig. command, +\ limits, inhibit/enable, fault, reset, motor temp, encoder and step & direction. Programmable analog out: 1 12-bit or optional 2 16-bit. General purpose relay: maximum 2 A @ 30 VDC. Nais P/N: TQSA-5V.
----------------------	---

Input

Wide operating voltage	All stand-alone versions can be ordered for operation from either 110-130 VAC or 208-240 VAC (single or 3-phase, 50/60 Hz). Note: Non-standard voltages can be ordered on request.
Direct AC operation	The stand-alone units include a DC bus power supply, cooling fans and regen clamp with a dumping resistor.
External logic supply	24-48 VDC, 600 mA min @ 24 VDC powers all logic & encoder. This works as a "keep alive" for the SMC9425 drives.

Build

Complete isolation	Complete isolation between signal and power stage.
Non-volatile memory	All parameters are stored in non-volatile memory for reliable start up. In addition, up to four different configurations can be stored in the amplifier's non-volatile memory.
Relay outputs	Two pins provide an interface for the relay. They turn on when a desired condition occurs.
Status indicator	7-segment display indicates drive status and diagnostics.
SMT construction	Provides ultra compact size, cost competitive package and high reliability.

ENVIRONMENTAL CONDITIONS

Storage Temperature: -40°C to 80°C

Operating Temperature: Standard: 0°C to 40°C without current derating, up to 50°C with 25% current derating
 Special: -20°C to 40°C without current derating, up to 50°C with 25% current derating

Humidity: 5% to 95% relative humidity, non-condensing

Altitude: Up to 1000m without derating, derate current 10% per 1000m above 1000m

DIMENSIONS

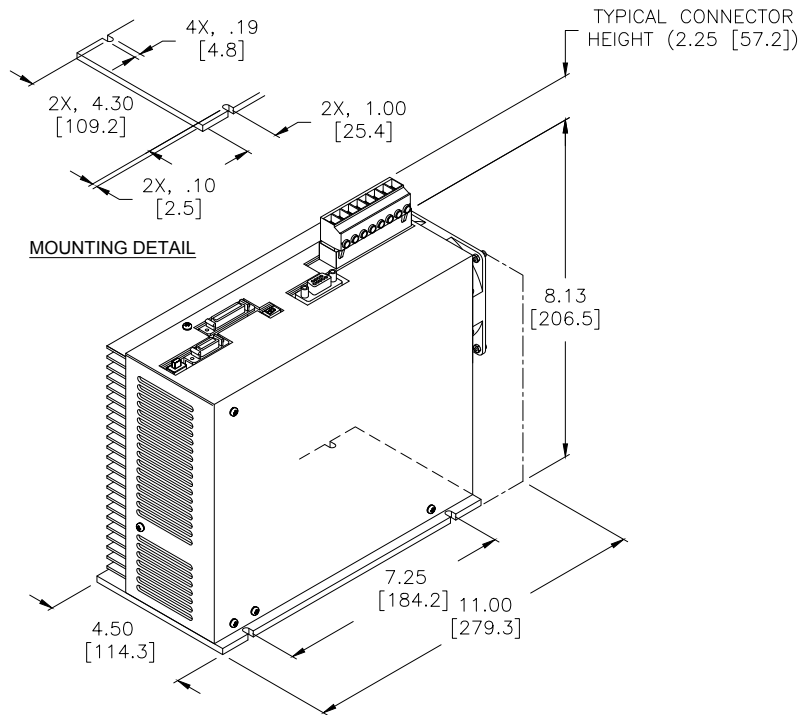
Mounting Configurations

Stand Alone

This package consists of a drive module, DC bus power supply, in-rush current limiting protection at power-on, fuses, fans, and regen/clamp with a dumping resistor.

SMB/SMC9425-1A Stand Alone

Dimensions are inches [millimeter]



Weight

6.2 lb / 2.8 kg

STAND ALONE MODEL NUMBERING

This section explains the model numbering system for Glentek's Alpha Series Digital PWM Brushless Servo Drives. The model numbering system is designed so that you, our customer, will be able to quickly and accurately create the model number for the drive that best suits your requirements. Please complete the drive configuration code you require using the information on this page. After completing your model number, please contact a Glentek Sales Engineer to confirm that the model number you have created is correct.

SM **C** **9425** - **1** **03** - **0** **07** - **1A** - **1**

- On-Board or External Bus Logic** C = 24 VDC External Logic Power, Keep Alive
- Drive Power** 25 = 25 A Continuous, 50 A Peak
- Bus Type** 1 = SMC
- Input Voltage & Power Rating** 03 = 110-130 VAC, Standard Power
- I/O & Motor Feedback Connectors** 0 = High Density Mini-D Connector
- Logic Board** 07 = Pulse Follower
- Stand Alone Package Configuration** A = Stand Alone with Built In Regen Clamp

SM **9425** - - - **1A** - **1**

On-Board or External Bus Logic	
B	Bus Power Logic, Encoder Based
C	24 VDC External Logic Power, Keep Alive

Logic Power	
0	SMB (Bus Power Logic)
1	SMC (24 VDC External Logic Power, Keep Alive)

Input Voltage & Power Rating	
00	208-240 VAC, Standard Power
03	110-130 VAC, Standard Power

I/O & Motor Feedback Connectors	
0	High Density Mini-D
1	Molex

Logic Board	
01	Standard Features, +/-10 VDC typical for current (torque) or velocity (RPM)
07	Pulse Follower
09	External Sine Commutation / 2 Phase Current Mode
11	Brush Type and Encoder
13	Brush Type and Tachometer

